

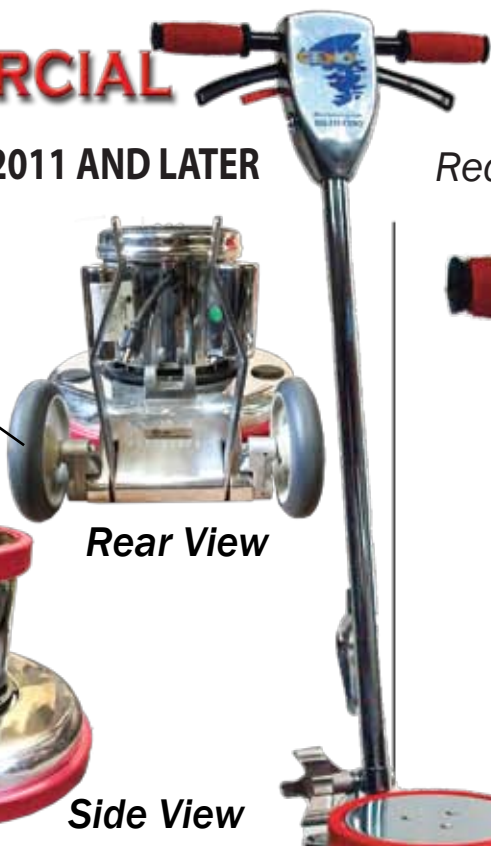


# COMMERCIAL

FOR MACHINES BUILT 2011 AND LATER

## Chassis

Black Tires



Rear View

Side View

17"  
20"

KECOMBUF  
KECOMBUF-20

Red Handlebars



Red Safety Lever

Handle  
"Tear Drop" style switch box

## Dust Control



CM217

Vacuum Plate  
Buffer Handle Hose Adapter  
Floating Dust Skirt  
Port & Nut



Enclosed motor with 3 holes and red bumper at top

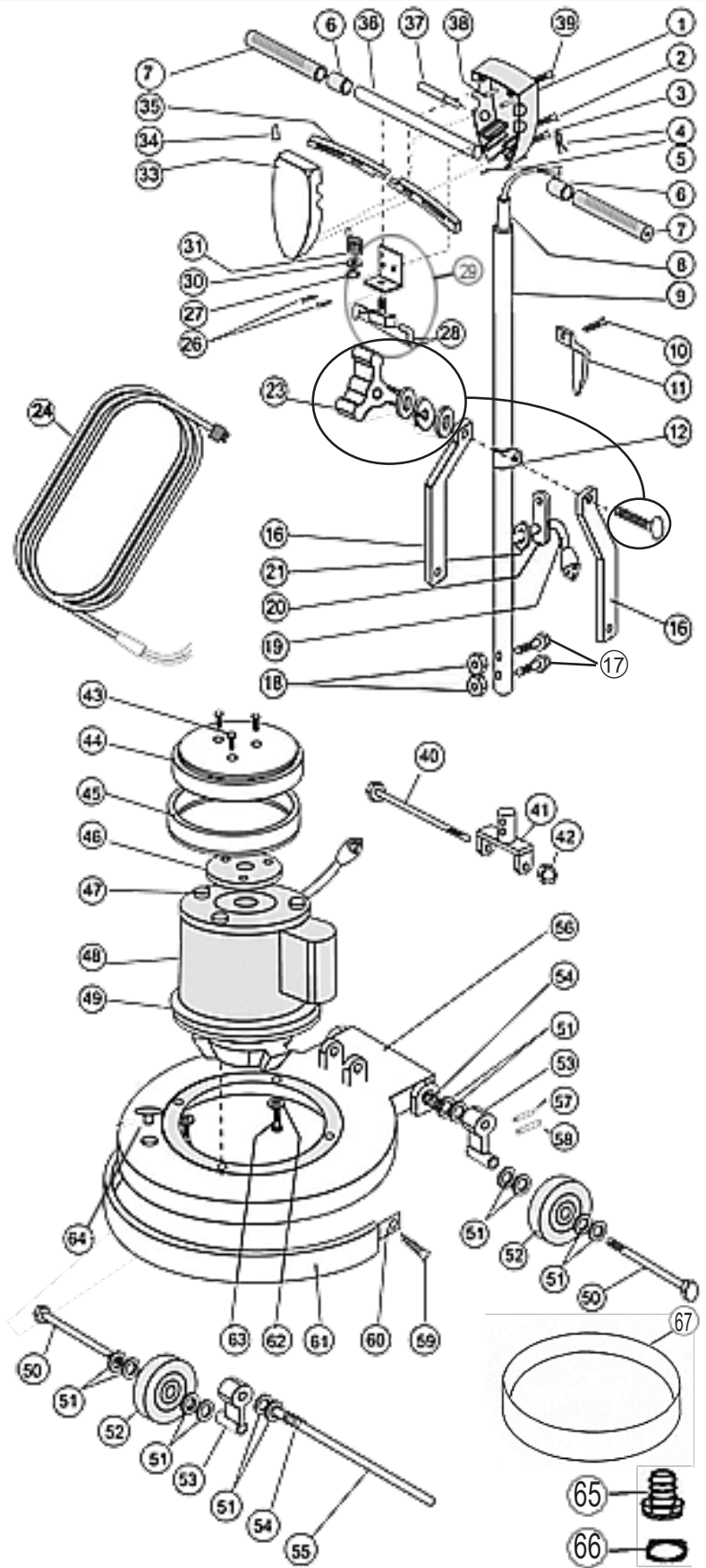
## Motor



CENO GROUP • 12221 Carlsbad St., Houston, TX 77085 • 800-710-2366 • Fax: 713-551-8456 • sales@floorsanding.com

For easier and faster ordering, please verify your model by checking the above pictures.

ITEM #	DESCRIPTION	PART #
1	SWITCH BOX BACK	OPA-104
2	HANDLE TUBE SCREW	OPB-23
3	SWITCH BOX CLOSING SCREW	OPB-21
4	STRAIN RELIEF CLIP	OPM-213
5	GROUND WIRE SCREW	OPB-68
7	BLACK HAND GRIP W/BAND	OPM-218-BLK
8	HANDLE TUBE INSERT	OPM-247
9	HANDLE TUBE	OPM-206
10	CABLE HOOK SCREW	OPB-2
11	CABLE HOOK	OPA-164
12	SLIDING COLLAR	OPA-111
16	BENT BRACE	OPM-216
17	YOKE BOLT	OPB-18A
18	YOKE NUT	OPB-19
19	HANDLE TUBE CABLE	OPG-16
20	RUBBER CABLE CONNECTOR	OPM-249
21	CABLE GROMMET	OPB-63
23	KNOB KIT	OPCCA-1
24	50' CABLE 14/3-YELLOW	OPG-14-50-Y
26	SWITCH MOUNTING PLATE	OPG-30-B
27	SWITCH PLATE SCREW	OPB-1
28	INSULATED WIRE CONNECTOR	OPG-48
29	ON/OFF SWITCH ASSY.	OPG-30-AB
30	LOCK WASHER	OPB-33
31	TRIGGER RETURN SPRING	OPG-30-CT057
33	SWITCH BOX FRONT	OPA-103
34	WIRE CONNECTOR	OPG-47
35	TRIGGER	OPA-105
36	16" CROSSBAR	OPM-211-A
37	SAFETY INTERLOCK ASSY.	OPSIA-1
38	TRIGGER PIN	OPB-70
39	CROSSBAR SCREW	OPB-22
40	YOKE PIN SCREW	OPB-14
41	YOKE	OPA-1001
42	STOP NUT	OPB-10
43	DRIP CAP SCREW	OPB-151
44	DRIP CAP COVER	OPM-242
45	DRIP COVER BUMPER-RED	OPM-239-R
46	CORK DRIP COVER GASKET	OPM-248
48	66 FRAME 1.5HP 178 RPM	OPMOTOR/GB
50	WHEEL AXLE BOLT	OPB-15,BDP
51	SPRING WASHER	OPB-51
52	6" WHEELS	OPM-245
53	WHEEL CARRIAGE	OPA-117
54	SPRING	OPB--30
55	9" AXLE	OPM-217
56a	17" CHASSIS	OPA-134
56b	20" CHASSIS	OPA-129
57	AXLE PIN	OPB-45
58	WHEEL AXLE PIN	OPB-46
60	CAP PLUGS	OPCCF-2-4-20
61a	BUMPER 17"-RED	OPM-232-17-R
61b	BUMPER 20"-RED	OPM-232-21-R



### Dust Control

**Deflector Plate**   **Port & Hose**   **Dust Skirt**  
**COMMERCIAL** Dust Control Com Buff 16"-17"   **CM217**  
**COMMERCIAL** Dust Control Com Buff 20"   **CM220**

63	CAP SCREW	OPB-31
64	SCRUBBER PLUG	OPB-50
<b>DUST CONTROL PARTS:</b>		
65	VACUUM PORT	KD-482401
66	VAC PORT NUT	KD-920629
67	FLOATING DUST RING	KAVACRING
67a	DUST SKIRT	KA1500
68	CYCLONIC DEFLECTOR PLATE	XM200
69	HANDLE HOSE ADAPTER	KA109
70	DUST SKIRT	KA1500

CENO GROUP • 12221 Carlsbad St., Houston, TX 77085 • 800-710-2366 • Fax: 713-551-8456 • sales@floorsanding.com

