



# COMMERCIAL

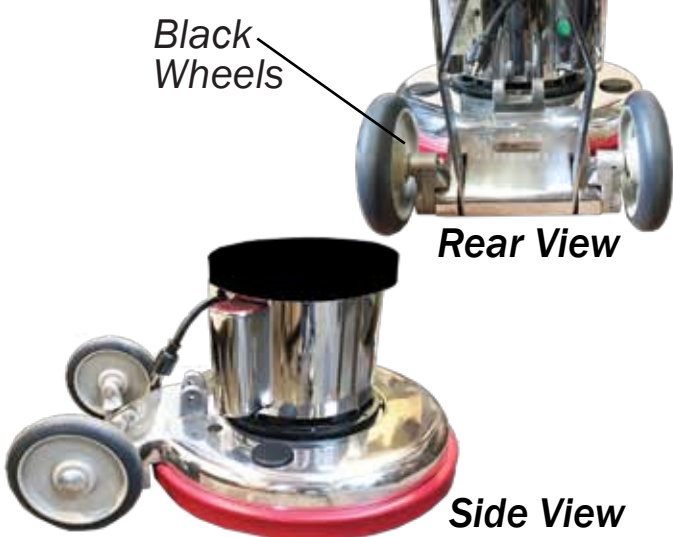
FOR MACHINES BUILT NOVEMBER 2017

AND LATER

17"  
20"

**KECOMBUF**  
**KECOMBUF-20**

## Chassis



## Handle



## Dust Control



## Motor

Red Bumper

Chrome Motor and Apron

Black Top



CENO GROUP • 12221 Carlsbad St., Houston, TX 77085 • 800-710-2366 • Fax: 713-551-8456 • sales@floorsanding.com

For easier and faster ordering, please verify your model by  checking the above pictures.

### MACHINE ASSEMBLY

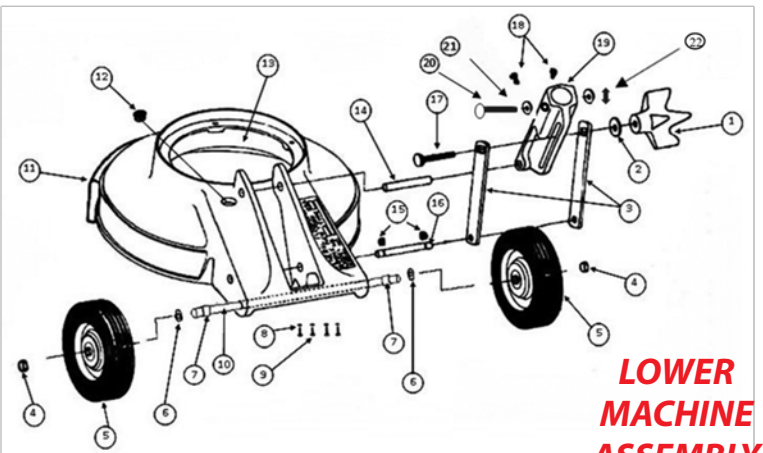
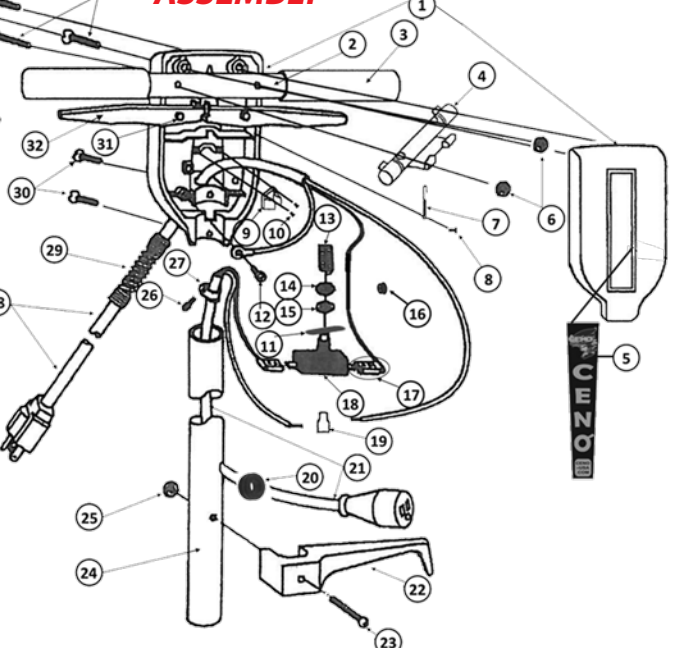
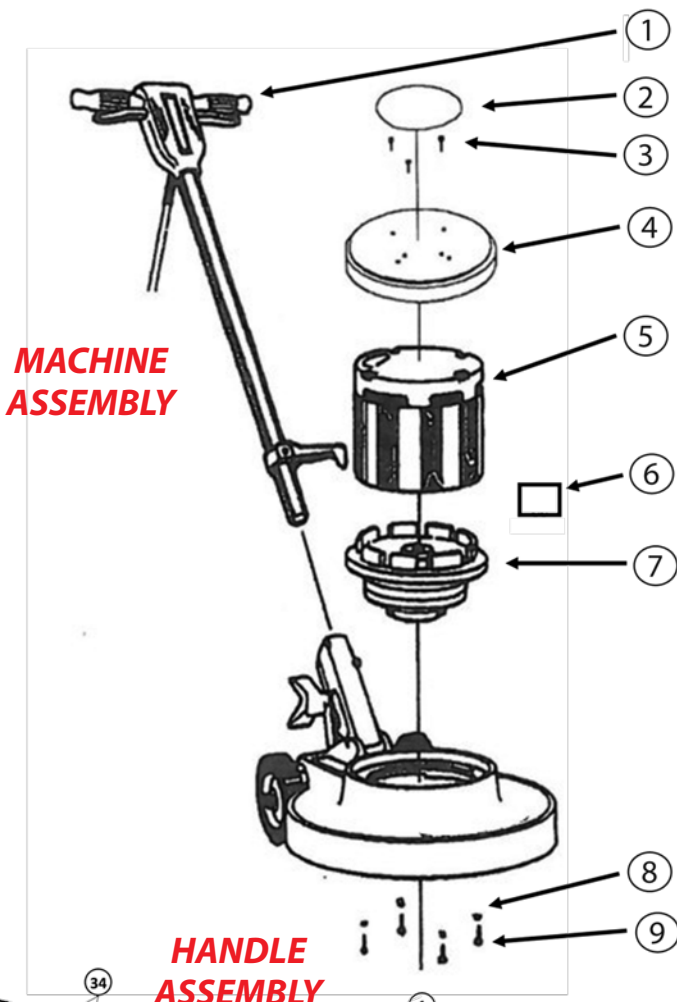
| ITEM # | DESCRIPTION                 | PART #  |
|--------|-----------------------------|---------|
| 1      | HANDLE ASSEMBLY             | G500090 |
| 2      | CENTER INSERT, CANOPY BLACK | G201205 |
| 3      | SCREW                       | G201105 |
| 4      | CANOPY                      | G201204 |
| 5      | MOTOR COMPLETE              | G205007 |
| 6      | DECAL, WARNING              | G145125 |
| 7      | GEAR ASSY COMPLETE          | G131330 |
| 8      | WASHER                      | G201430 |
| 9      | BOLT                        | G201420 |

### HANDLE ASSEMBLY

| ITEM # | DESCRIPTION                            | PART #      |
|--------|--|-------------|
| 1      | SWITCHBOX, FRONT AND BACK              | G501044     |
| 2      | HANDLE BAR                             | G501028     |
| 3      | GRIP, HANDLE RED                       | G505188     |
| 4      | LEVER, SAFETY RED                      | G505185     |
| 5      | CENO DECAL, SWITCHBOX PL               | G147192     |
| 6      | NUT, LOCK WITH NYLON INSERT            | G501054     |
| 7      | SPRING, SAFETY SWITCH                  | G505182     |
| 8      | SCREW, SPRING                          | G201600     |
| 9      | STRAIN RELIEF, CABLE                   | G505189     |
| 10     | SCREW, STRAIN RELIEF CABLE             | G505190     |
| 11     | WASHER, SWITCH, LOWER                  | G505178     |
| 12     | SCREW, GROUND                          | G201600     |
| 13     | SPRING, SWITCH                         | G505162     |
| 14     | NUT, SWITCH BRASS                      | G505172     |
| 15     | WASHER, SWITCH                         | G505173     |
| 16     | PLUG, SWITCHBOX                        | G505193     |
| 17     | TERMINAL, INSULATED FEMALE RIGHT ANGLE | G505203     |
| 18     | SWITCH                                 | G505170     |
| 19     | CRIMP CONNECTOR, INSULATED             | G505168     |
| 20     | GROMMET, RUBBER HANDLE TUBE            | G201227     |
| 21     | WIRE, TUBE ASSEMBLY BLACK              | G505160     |
| 22     | CABLE HOOK                             | G501071     |
| 23     | SCREW, CABLE HOOK                      | G114280     |
| 24     | HANDLE TUBE, CHROME, SAFETY SWITCH BOX | G501080     |
| 25     | NUT, LOCK WITH NYLON INSERT            | G501054     |
| 26     | SCREW, STRAIN RELIEF                   | G505804     |
| 27     | CABLE CLAMP                            | G505146     |
| 28     | CABLE, HEAVY DUTY 50' YELLOW           | G605032     |
| 29     | STRAIN RELIEF, CABLE SPRING            | G505110     |
| 30     | SCREW, SWITCHBOX HANDLE TUBE           | G505412     |
| 31     | PIVOT PIN, LEVER                       | G501027     |
| 32     | LEVER, SWITCH BLACK                    | G501522     |
| 33     | SCREW, SWITCHBOX                       | G505118     |
| 34     | SCREW, HANDLE BAR                      | G142800     |
|        | HANDLE ASSEMBLY COMP.                  | G500090CENO |

### LOWER MACHINE ASSEMBLY

| ITEM # | DESCRIPTION                    | PART #  |
|--------|--------------------------------|---------|
| 1      | KNOB, HANDLE ADAPTOR LARGE     | G505127 |
| 2      | WASHER, HANDLE ADAPTOR         | G505131 |
| 3      | HANDLE ADAPTOR LINK            | G160532 |
| 4      | NUT, RUBBER WHEEL AXLE         | G125048 |
| 5      | WHEEL, SOLID GRAY 4"           | G165533 |
| 6      | WASHER, WHEEL BRACKET MOUNTING | G505030 |
| 7      | FLANGE                         | G165533 |
| 8      | WASHER, MOTOR MOUNTING         | G201430 |
| 9      | BOLT, MOTOR MOUNTING           | G201420 |
| 10     | AXLE, REAR FIXED WHEELS        | G201236 |
| 11     | BUMPER 17" RED                 | G161505 |
| 12     | PLUG, CHROME APRON 7/8"        | G145004 |
| 13     | APRON, 17" POLISHED CENO       | G170500 |
| 14     | PIVOT PIN, HANDLE ADAPTOR      | G160514 |



|    |                                |         |
|----|--------------------------------|---------|
| 15 | SNAP RING                      | G160513 |
| 16 | PIVOT PIN, HANDLE ADAPTOR LINK | G160512 |
| 17 | SCREW, HANDLE KNOB LARGE       | G160533 |
| 18 | SCREW, HANDLE KNOB LARGE       | G101510 |
| 19 | HANDLE ADAPTOR WITH BOLT       | G160556 |
| 20 | SCREW, CABLE HOOK              | G114280 |
| 21 | NEOPRENE WASHER HANDLE ADAPTOR | G201428 |
| 22 | NUT, WING FOR CENO HANDLE      | G125053 |



CENO GROUP • 12221 Carlsbad St., Houston, TX 77085 • 800-710-2366 • Fax: 713-551-8456 • sales@floorsanding.com