



COMMERCIAL

FOR MACHINES BUILT **BEFORE 2011**

17"
20"

KECOMBUF
KECOMBUF-20

Chassis

Dust Control



CM217

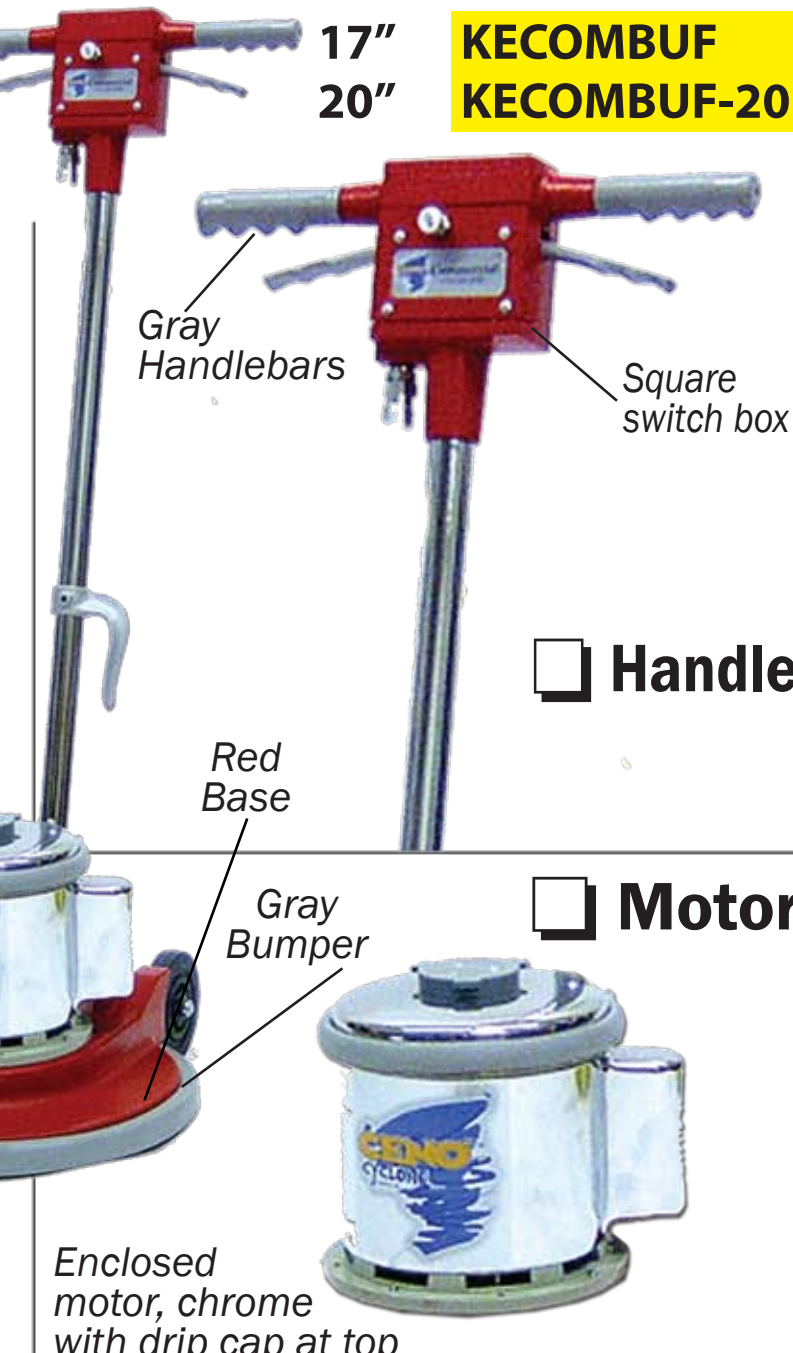
Vacuum Plate
Buffer Handle Hose Adapter
Floating Dust Skirt
Port & Nut



CENO GROUP • 12221 Carlsbad St., Houston, TX 77085 • 800-710-2366 • Fax: 713-551-8456 • sales@floorsanding.com

For easier and faster ordering, please verify your model by checking the above pictures.

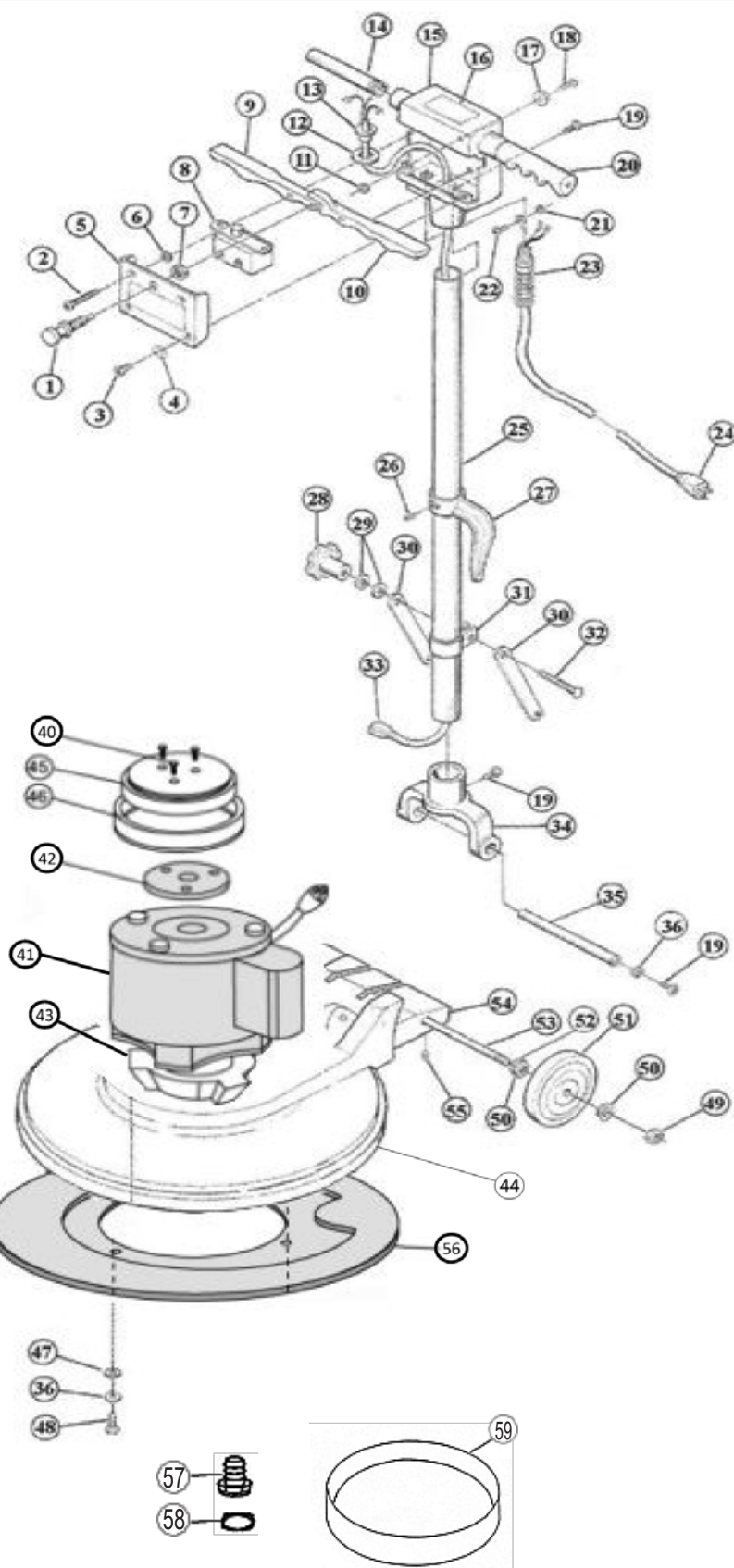
ITEM #	DESCRIPTION	PART #
1	INTERLOCK ASSY SWITCH	KD-504810
2	SCREW, 10-32 x 3/4" OVAL HEAD	KD-962011
3	SCREW, 10-32 x 1/2" OVAL HEAD	KD-962002
4	WASHER, #10 COUNTERSUNK	KD-980018
5	SWITCH COVER PLATE	KD-486404
6	WASHER, RUBBER	KD-509821
7	NUT, 3/8"-24 HEX	KD-920005
8	SWITCH ASSY	KD-508020
9	LEVER, SWITCH RIGHT	KD-505120
10	LEVER, SWITCH LEFT	KD-505121
11	NUT, 10-32 ELASTIC STOP	KD-920001
12	WASHER, HANDLE TUBE	KD-509830
13	FLANGE, STRAIN RELIEF	KD-503320
14	HANDLE NIPPLE	KD-505720
15	SWITCH BOX	KD-481304
16	WARNING LABEL	KD-515150
17	BUMPER, HANDLE	KD-501210
18	SCREW, 10-32 x 3/4" PAN HEAD	KD-962003
19	SCREW, 1/4-20 x 1/2" PAN HEAD	KD-962006
20	HANDLE GRIP	KD-503711
	CAP, PROTECTIVE END	KD-501501
21	WASHER, #10 EXT. TOOTH	KD-980015
22	SCREW, 10-32 x 3/8" PAN HEAD	KD-962015
23	STRAIN RELIEF COMPLETE	KD-508520
	STRAIN RELIEF - BRASS CLAMP	KD-502020
24	CORD ASSY - YELLOW	OPG-66P1
25	HANDLE TUBE	KD-509082
26	SCREW, 1/4-20 x 3/8" SET	KD-962005
27	CORD HOOK	KD-504420
28	TURN KNOB	KD-505010
29	WASHER, 5/16 FLAT	KD-980007
30	HANDLE BRACE	KD-500840
31	CLAMP, HANDLE	KD-502021
32	BOLT, CARRIAGE 5/16-18 x 2 1/2"	KD-962009
33	HANDLE CORD	KD-908004
34	YOKE, HANDLE	KD-509920
35	ROD, YOKE	KD-507480
36	WASHER, 1/4" LOCK	KD-980002
40	DRIP COVER BOLTS	OPB-151
41	MOTOR COMPLETE 1.5HP 115V	OPMOTOR/GB
	RUN CAPACITOR	KD-911321
	START CAPACITOR	KD-911304
42	CORK DRIP CAP GASKET	OPM-248
43	GEAR ASSY COMPLETE	KD-503536
44	THICK BUMPER 17"	KD-481202
	BUMPER 17", GREY	KD-481208
	BUMPER 20", GREY	KD-481203
45	66 FRAME DRIP CAP COVER	OPM-242
46	UPPER BUMPER - BLUE	OPM-239B
47	WASHER, 1/4" FLAT	KD-980004
48	SCREW, 1/4-20 x 1"	KD-962010
49	NUT, 1/2"-1 HEX	W502D
50	WASHER, WAVE	KD-980005
51	WHEEL, 1" x 4" GREY	KD-509780
52	WASHER, FIBER	KD-509820
53	WHEEL AXLE	KD-487702



Handle

Motor

Enclosed motor, chrome with drip cap at top



54	CHASSIS - 17"	KD-483204
	CHASSIS - 20"	KD-483227
55	SCREW, 10-32 x 3/8" SET	KD-962016
DUST CONTROL PARTS		
56	CYCLONIC DEFLECTOR PLATE	KD-481202
57	VACUUM PORT	KD-482401
58	VAC PORT NUT	KD-920629
59	FLOATING DUST RING	KAVACRING
60	HANDLE HOSE ADAPTER	KA109
61	DUST SKIRT	KA1500



CENO GROUP • 12221 Carlsbad St., Houston, TX 77085 • 800-710-2366 • Fax: 713-551-8456 • sales@floorsanding.com