

CENO CYCLONE Series

13" 110V
15" 110V
17" 110V
19" 110V
20" 110V

CMCY-13
CMCY-15
CMCY-17
CMCY-19
CMCY-20

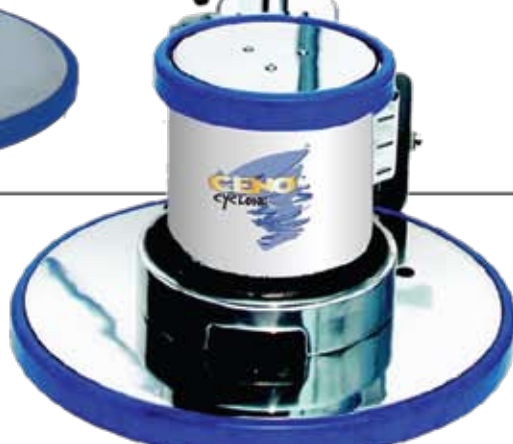
Chassis



Kick
Lever

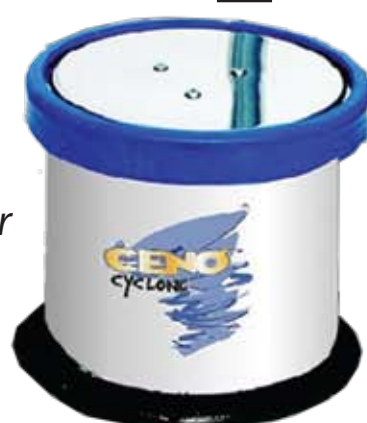
Yellow
Safety
Lever

Handle
"Tear Drop" style



Blue
Bumper

Enclosed motor
with 3 holes
and blue
bumper at top



Dust Control



CM271
Vacuum Plate
Handle Hose Adapter
Floating Dust Ring
Port & Nut



CM500
Sandpaper Driver
Handle Hose Adapter
Floating Dust Ring
Port & Nut



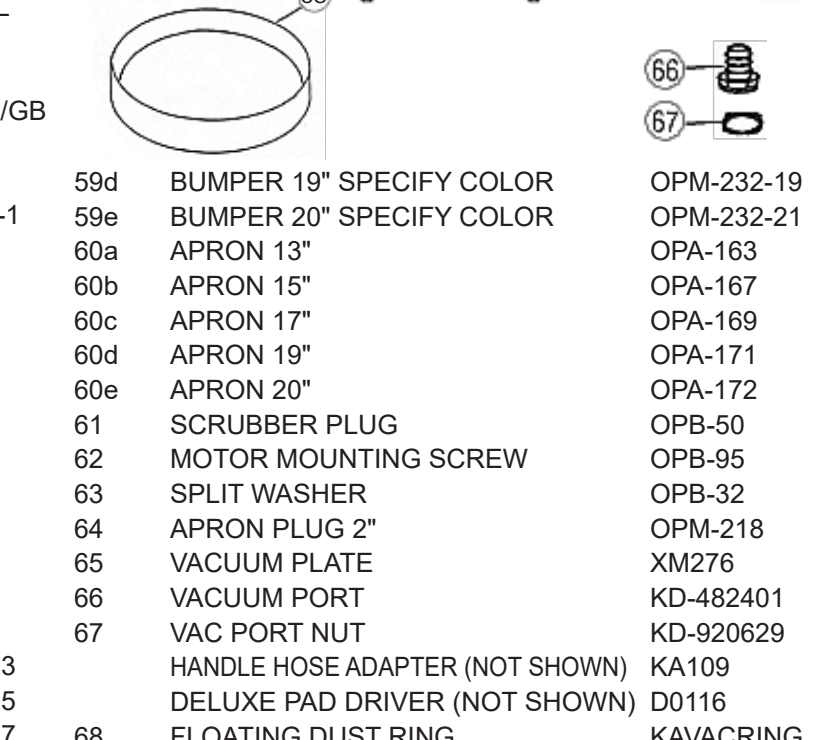
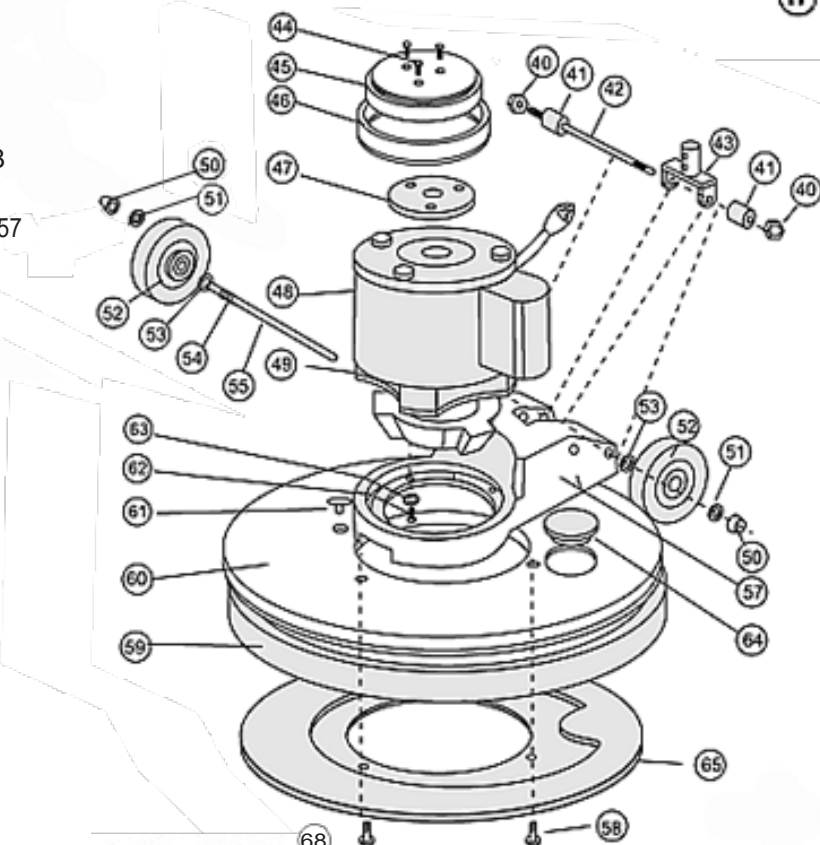
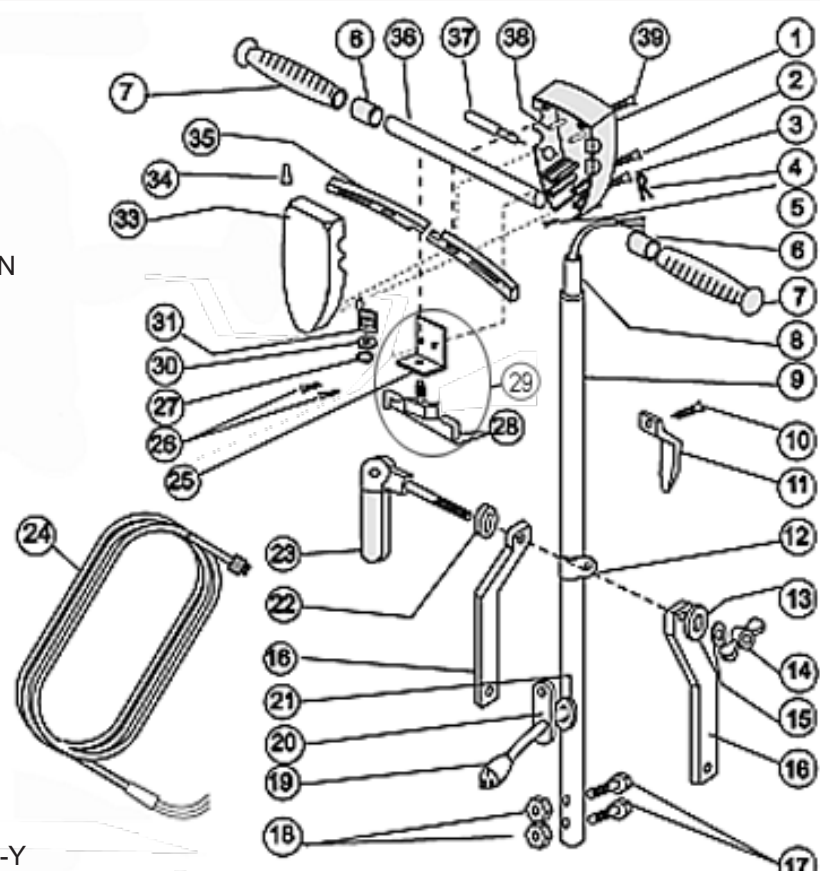
CM501
Pad Driver
Handle Hose Adapter
Floating Dust Ring
Port & Nut

Motor

CENO GROUP • 12221 Carlsbad St., Houston, TX 77085 • 800-710-2366 • Fax: 713-551-8456 • sales@floorsanding.com

For easier and faster ordering, please verify your model by checking the above pictures.

ITEM #	DESCRIPTION	PART #
1	SWITCH BOX BACK	OPA-104
2	HANDLE TUBE SCREW	OPB-23
3	SWITCH BOX CLOSING SCREW	OPB-21
4	STRAIN RELIEF CLIP	OPM-213
5	GROUND WIRE SCREW	OPB-68
6	RUBBER SPACER	OPM-218Y
7	HAND GRIP	OPM-218CN
8	HANDLE TUBE INSERT	OPM-247
9	HANDLE TUBE ASSEMBLY	OPM-206
10	CABLE HOOK SCREW	OPB-2
11	CABLE HOOK	OPA-164
12	SLIDING COLLAR	OPA-111
13	CAM WASHER	OPB-37
14	CAM LOCK WING NUT	OPB-25
15	CAM SPLIT WASHER	OPB-39
16	BENT BRACE	OPM-216
17	YOKE BOLT	OPB-18A
18	YOKE NUT	OPB-19
19	HANDLE TUBE CABLE	OPG-16
20	BLACK RUBBER CABLE CONNECTOR	OPM-249
21	CABLE GROMMET	OPB-63
22	RECTANGULAR HOLE CAM WASHER	OPB-67
23	COMPLETE CAM ASSEMBLY	OP-CCA
24	50' POWER CABLE 14/3 YELLOW	OPG-14-50-Y
25	SWITCH MOUNTING PLATE	OPG-30-B
26	SWITCH PLATE SCREW	OPB-1
27	INT. TOOTH LOCK WASHER	OPB-35
28	INSULATED FLAG WIRE CONNECTOR	OPG-48
29	ON-OFF SWITCH AND PLATE ASSEMBLY	OPG-30-AB
30	LOCK WASHER	OPB-33
31	TRIGGER RETURN SPRING	OPG-30-CT057
33	SWITCH BOX FRONT	OPA-103
34	WIRE CONNECTOR	OPG-47
35	TRIGGER	OPA-105
36	16" CROSSBAR	OPM-212
37	SAFETY INTERLOCK ASSEMBLY	OPSIA-1
38	TRIGGER PINS	OPB-70
39	CROSSBAR SCREW	OPB-22
40	ACORN NUT FOR YOKE PIN	OPB-8
41	RUBBER YOKE SPACER	OPB-5
42	YOKE PIN	OPB-70
43	YOKE	OPA-1001
44	DRIP CAP MOUNTING SCREW	OPB-151
45	66 FRAME DRIP CAP COVER	OPM-242
46a	UPPER BUMPER - YELLOW	OPM-239Y
46b	UPPER BUMPER - BLUE	OPM-239B
46c	UPPER BUMPER - RED	OPM-239R
46d	UPPER BUMPER - GREEN	OPM-239G
46e	UPPER BUMPER - BLACK	OPM-239BL
47	CORK DRIP CAP GASKET	OPM-248
48	MOTOR 66 FRAME 1.5HP WITH 11:1 178RPM TRANS START CAPACITOR RUN CAPACITOR CAPACITOR COVER (CHROME)	OPMOTOR/GB KD-911304 KD-911321 OPMSCAP-1
49	GEAR BOX 11:1 TRIPLE PLANETARY FOR 178 RPM	KD-503536
50	HUB CAPS	OPV0038
51	SPRING WASHER	OPB-51
52	5" DOUBLE WIDE WHEELS	KD-489702
53	1/2" FLAT WASHER	OPB-29
54	SPRING, AXLE	OPB-30
55	13.5" AXLE FOR 5" DOUBLE WIDE WHEELS	OPM-219
56	MOTOR LABEL	CALL
57	MAIN MACHINE FRAME	OPA-166
58	APRON MOUNTING SCREW	OPB-96
59a	BUMPER 13" SPECIFY COLOR	OPM-232-13
59b	BUMPER 15" SPECIFY COLOR	OPM-232-15
59c	BUMPER 17" SPECIFY COLOR	OPM-232-17
59d	BUMPER 19" SPECIFY COLOR	OPM-232-19
59e	BUMPER 20" SPECIFY COLOR	OPM-232-21
60a	APRON 13"	OPA-163
60b	APRON 15"	OPA-167
60c	APRON 17"	OPA-169
60d	APRON 19"	OPA-171
60e	APRON 20"	OPA-172
61	SCRUBBER PLUG	OPB-50
62	MOTOR MOUNTING SCREW	OPB-95
63	SPLIT WASHER	OPB-32
64	APRON PLUG 2"	OPM-218
65	VACUUM PLATE	XM276
66	VACUUM PORT	KD-482401
67	VAC PORT NUT	KD-920629
68	HANDLE HOSE ADAPTER (NOT SHOWN) DELUXE PAD DRIVER (NOT SHOWN) FLOATING DUST RING	KA109 D0116 KAVACRING



CENO GROUP • 12221 Carlsbad St., Houston, TX 77085 • 800-710-2366 • Fax: 713-551-8456 • sales@floorsanding.com