

Handle Vac™ RABBIT HEPA



Rear View

Does not include shoulder and waist belt as other backpacks do.



Lid

Screw-on lid with 5.5' of hose attached



HVAC

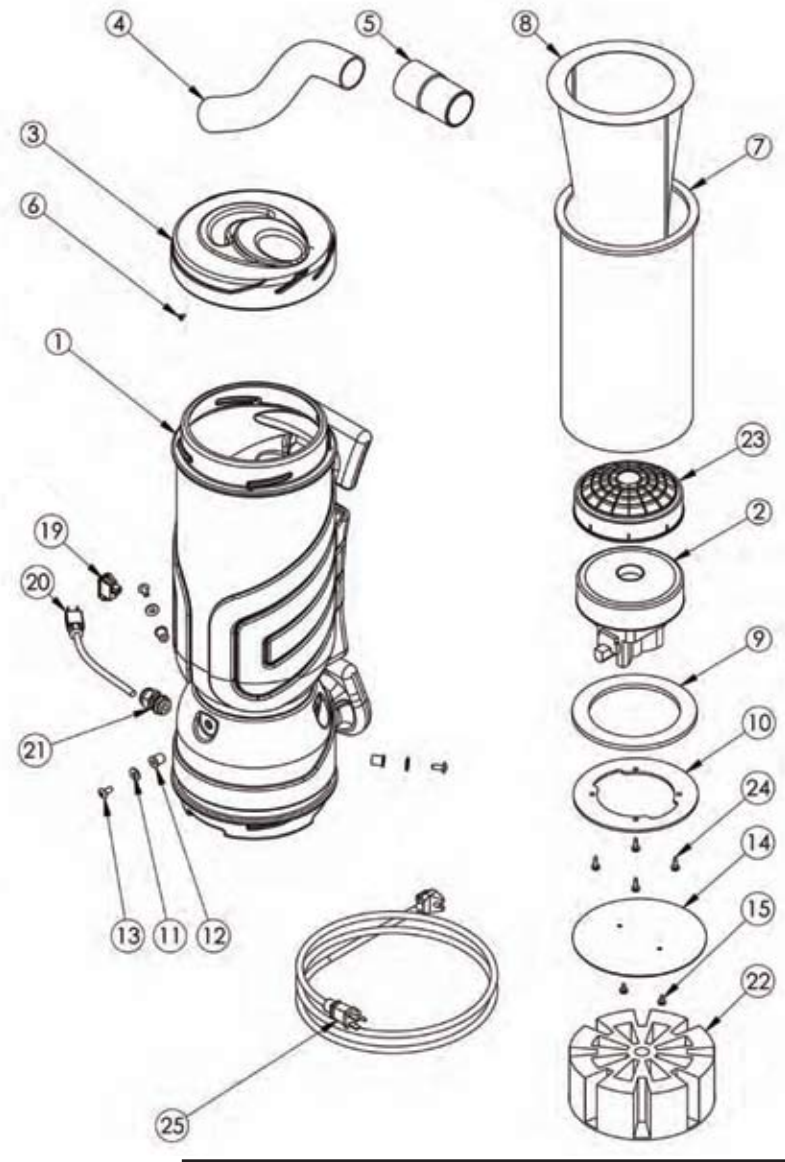
Fits all floor machines



CENO GROUP • 12221 Carlsbad St., Houston, TX 77085 • 800-710-2366 • Fax: 713-551-8456 • sales@floorsanding.com

For easier and faster ordering, please verify your model by checking the above pictures.

ITEM	DESCRIPTION	PART #
1	Backpack Housing (Body)	QR1-R
2	Vacuum Motor	VP809
3	Lid	QR3
4	Vacuum Hose (sold per foot)	VP6010501
5	Hose Cuff - Swivel	VP819
6	Rivet/Screw (Hose to Lid)	QR6
6a	Tee Nut (not pictured)	QR6A
6b	#8 Black Oxide Washer (not pictured)	QR6B
7	Cloth Bag w/Gasket	VPC406L
8	Filter Bags - Premium HEPA 6 qt.	VP1400
9	Gasket (motor to housing)	VP828
10	Mounting Ring for Motor	QR10
11	Well Nut Washer	QR11
12	Well Nut	QR12
13	Screw for Well Nut	QR13
14	Motor Finger Guard	QR14
15	#10 x 5/8" Tapping Screw	QR15
19	On/Off Rocker Switch	VP820
20	Pigtail Cord w/Connectors	QR20-R
21	Strain Relief	QR21
21b	Nut for Strain Relief	QR21B
22	Dual Cell Exhaust Filter	QR22
23	HEPA Dome Motor Filter	VP826
24	Screw - Motor to Mounting Plate	QR24
VAC MOUNTING PARTS (SEE BELOW)		
26	Vac Mounting Kit	KM1000
26a	Bracket Handle Vac	HVAC-XB
26b	Bolts for Bracket	HVAC-XB1
26c	Washers for Bracket	KA2014
26d	Bracket Vac Holder	KM633
26e	Screw Bracket Holder	KM633-SCREW
	Screw Bracket Holder - Long	KM633-SCREWL
26f	Long Arm Allen Wrench	KM633-W
26g	Plug, 3-Way	KEP111



KM1000 VAC MOUNTING KIT

1. Attach mounting plate to vacuum at top with top facing down and at bottom with top facing up. Attach using screw B and washers C.
2. Secure top clamp approximately 19" above motor with slats facing up and bottom clamp approximately 3" above motor with the slats facing down.
3. Tighten top clamp, hang vac on clamp.
4. Slide bottom down to match mounting plate on bottom and tighten.
5. Unplug motor from handle, plug in 3-way adaptor and plug vac into the adaptor.



26A 2 ea. Bracket Handle Vac **HVAC-XB**



26B 4 ea. Bolts for Bracket **HVAC-XB1**
26C 4 ea. Washers for Bracket **KA2014**



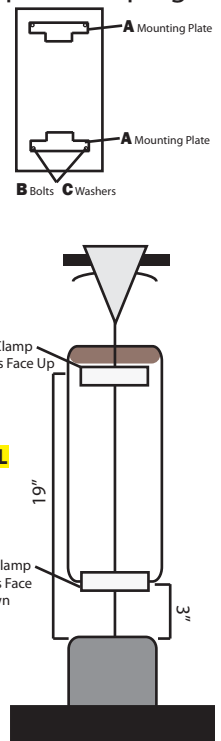
26D 2 ea. Bracket Vac Holder **KM633**
26E 4 ea. Screw Bracket Holder **KM633-SCREW**
4 ea. Screw Bracket Holder - Long **KM633-SCREWL**



26F 1 ea. Long Arm Allen Wrench **KM633-W**



26G 1 ea. Plug, 3-Way **KEP111**

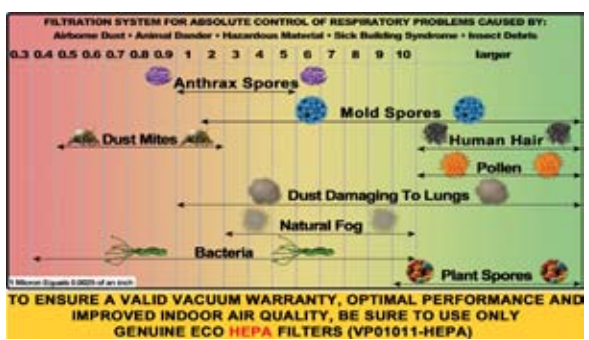


Switch to HEPA
ECO Filtration
(Instead of Paper Bags)
Better Filtration Means a Cleaner Environment

- Collects Mold, Mites, Pollen & Bacteria
- HEPA H-13 / 99.97% @ .03 Micro Filtration
- ECO Green Demand The Best**
- Premium Filtration
- Longer Equipment Life
- Safer Environment

VOLUME DISCOUNTS

25-49 packs	5% Off
50-99 packs	10% Off
100-149 packs	15% Off
150-199 packs	20% Off
200+ packs	25% Off



CENO GROUP • 12221 Carlsbad St., Houston, TX 77085 • 800-710-2366 • Fax: 713-551-8456 • sales@floorsanding.com