

# SuperVac HEPA

FOR VACUUMS BUILT **BEFORE 2017**

2 - 1200 Watt Motors 120V

**VEWD55P2-H**

## Wheels

2 Non-marking rear tires



2 Front casters

## Top

Black top and handle

Metal latches

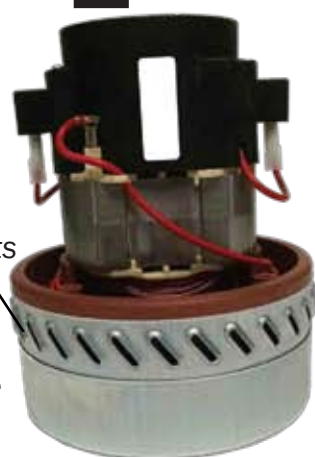
2 on/off switches



Rear View

## Motor

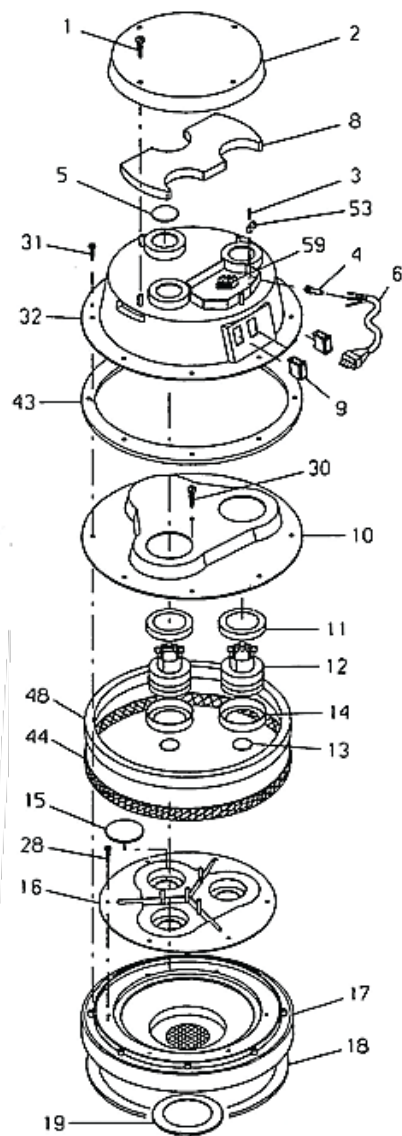
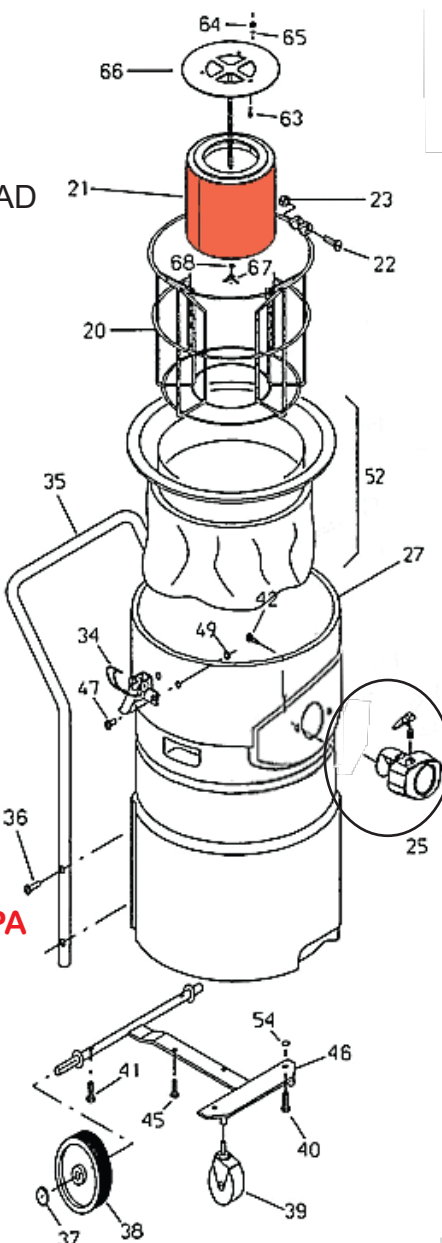
Motors will have ventilation slots shaped like either a diagonal line or a crescent/half-moon. It's important to know which one you have because they use different brushes.



CENO GROUP • 12221 Carlsbad St., Houston, TX 77085 • 800-710-2366 • Fax: 713-551-8456 • sales@floorsanding.com

For easier and faster ordering, please verify your model by  checking the above pictures.

ITEM	PART#	DESCRIPTION
1	VP621	SCREW
2	VP333	COVER
3	VP615	SCREW
4	VP510	BLACK RUBBER FAIRLEAD
5	VP576	DOME PLUG
6	VP534	ELECTRIC CABLE
8	VP410	NOISE MAT
9	VP462	SWITCH
10	VP399	DISC
11	VP456	GASKET
12	VP477	MOTOR
13	VP582	MOTOR VALVE
14	VP456	MOTOR GASKET
15	VP579	BRIDLE PLUG
16	VP402	ADAPTER LOWER
17	VP341	CAP BASE
18	VP447	DOME GASKET
19	VP444	FLOAT GASKET
20	VPH020	BASKET
21	VPH021	CARTRIDGE FILTER <b>HEPA</b>
22	VP637	SCREW
23	VP387	NUT
25	VP315	TANK UNION
27	VP366	TANK
28	VP618	SCREW
30	VP624	SCREW
31	VP624	SCREW
32	VP378	MOTOR CAP
34	VP342	GALVANIZED HOOK
35	VP483	HANDLE
36	VP652	SCREW
37	VP348	WHEEL PROTECTOR
38	VP546	WHEEL
39	VP549	CASTER WHEEL
40	VP655	SCREW
41	VP649	SCREW
42	VP606	SCREW
43	VP360	NOISE MAT
44	VP351	ALUMINUM NET
45	VP646	SCREW
46	VP327	TRUCK BASE
47	VP558	RIVET
48	VP360	NOISE MAT
49	VP537	WASHER
52	VP468-BIVE	FILTER BAG ASSY
53	VP504U	BOLT
54	VPS056	WASHER
59	VP501	TERMINAL BLOCK
63	VPH063	SCREW
64	VPH064	NUT
65	VPH065	WASHER
66	VPH066	CAGE SHUT OFF
67	VPH067	NUT
68	VPH068	WASHER



69 **"Eco-Micro" Lined 3 Ply Ultra Fine Filter 24Lx32W VP950**

- Fine Filtration to .03 microns
- Heat Sealed Microcloth
- Fits Super Vac

70 **Optional Teflon Micro Anti-Static Filter Cover VP468-C**

VP477-BRUSH	BRUSHES FOR MOTORS W/DIAGONAL SLOTS (NOT SHOWN)
VP477A-BRUSH	BRUSHES FOR MOTORS W/CRESCENT SLOTS (NOT SHOWN)
VP477-BRUSH-G	BRUSHES FOR MOTORS W/CRESCENT SLOTS & BLACK TOP(NOT SHOWN)
<b>VAC HEADS ONLY</b>	
VED3	3 MOTOR 3600 WATT 120V
VED2	2 MOTOR 2400 WATT 120V
VED3-800	3 MOTOR 2400 WATT 120V
VED3-220	3 MOTOR 3600 WATT 240V



CENO GROUP • 12221 Carlsbad St., Houston, TX 77085 • 800-710-2366 • Fax: 713-551-8456 • sales@floorsanding.com