

Wheels

2 Non-marking rear tires



2 Front casters

Top

Black top and handle

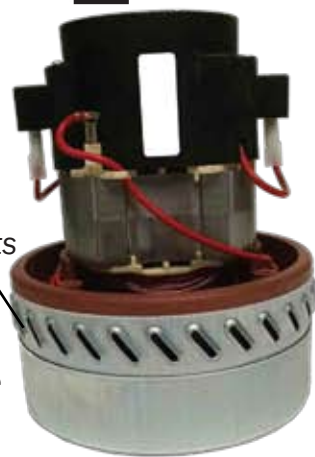
Metal latches

2 on/off switches (3 if 3-motor model)



Motor

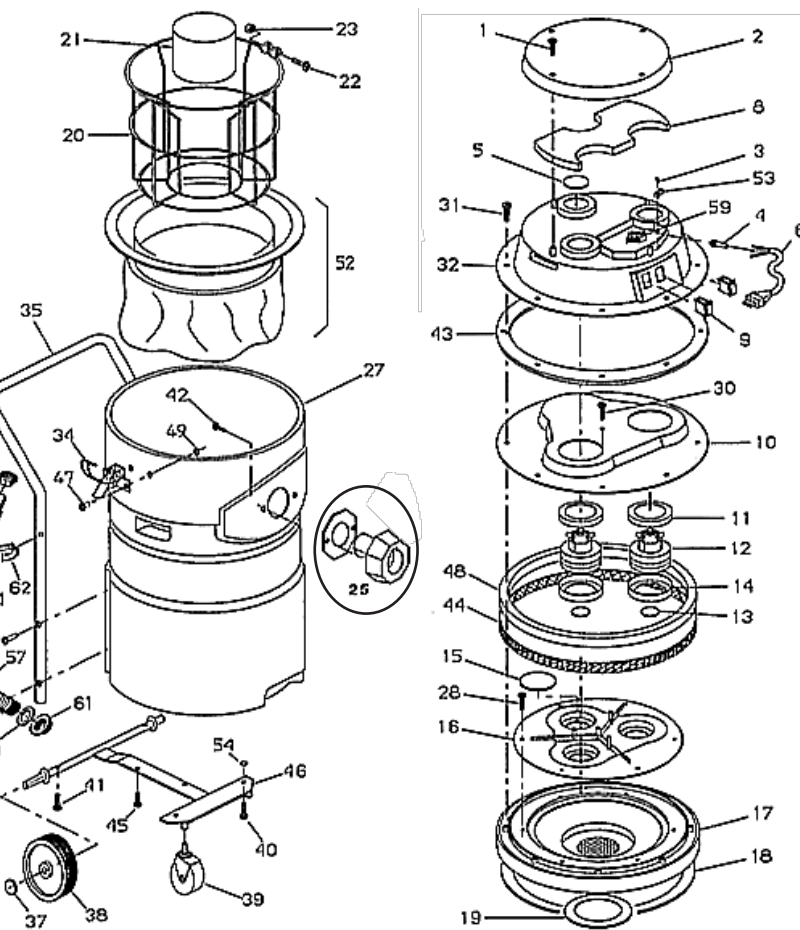
Motors will have ventilation slots shaped like either a diagonal line or a crescent/half-moon. It's important to know which one you have because they use different brushes.



CENO GROUP • 12221 Carlsbad St., Houston, TX 77085 • 800-710-2366 • Fax: 713-551-8456 • sales@floorsanding.com

For easier and faster ordering, please verify your model by checking the above pictures.

| ITEM | DESCRIPTION | PART # |
|------|--|------------|
| 1 | SCREW | VP621 |
| 2 | COVER | VP333 |
| 3 | SCREW | VP615 |
| 4 | BLACK RUBBER FAIRLEAD | VP510 |
| 5 | DOME PLUG | VP576 |
| 6 | ELECTRIC CABLE 12/3 | VP365 |
| 8 | NOISE MAT | VP410 |
| 9 | SWITCH | VP462 |
| 10 | DISC | VP399 |
| 11 | MOTOR GASKET | VP456 |
| 12 | MOTOR 120V | VP477 |
| | MOTOR 240V | VP477-220 |
| | MOTOR 800 WATT 120V | VP469 |
| 13 | MOTOR VALVE | VP582 |
| 14 | MOTOR GASKET | VP456 |
| 15 | BRIDLE PLUG | VP579 |
| 16 | DISC | VP402 |
| 17 | CAP BASE | VP341 |
| 18 | DOME GASKET | VP447 |
| 19 | FLOAT GASKET | VP444 |
| 20 | BASKET | VP357 |
| 21 | FLOAT | VP432 |
| 22 | SCREW | VP637 |
| 23 | NUT | VP387 |
| 25 | NYLON UNION | VP315 |
| 27 | TANK | VP366 |
| 28 | SCREW | VP618 |
| 30 | SCREW | VP624 |
| 31 | SCREW | VP624 |
| 32 | MOTOR CAP | VP378 |
| 34 | GALVANIZED HOOK | VP342 |
| 35 | HANDLE | VP483 |
| 36 | SCREW | VP652 |
| 37 | WHEEL PROTECTOR | VP348 |
| 38 | WHEEL | VP546 |
| 39 | SWIVEL WHEEL | VP549 |
| 40 | SCREW | VP655 |
| 41 | SCREW | VP649 |
| 42 | SCREW | VP606 |
| 43 | GASKET | VP360 |
| 44 | ALUMINUM NET | VP351 |
| 45 | SCREW | VP646 |
| 46 | TRUCK BASE | VP327 |
| 47 | RIVET | VP558 |
| 48 | GASKET | VP360 |
| 49 | WASHER | VP537 |
| 51 | SCREW | VP485 |
| 52 | ELECTROSTATIC SYNFAK FILTER | VP468 |
| | OPTIONAL SYNFAK HD FILTER ASSY (NOT SHOWN) | VP468-BIVE |
| 53 | CORD CLAMP | VP504 |
| 54 | WASHER | VPS056 |
| 56 | DRAIN HOSE ASSY | VP592 |
| 58 | DRAIN PORT | VP411 |
| 59 | TERMINAL | VP501 |
| 60 | WASHER | VP463 |
| 61 | NYLON RING | VP426 |




- 62 HOSE HOLDER VP435
- 63 PLUG VP1022



64 "Eco-Micro" Lined 3 Ply Ultra Fine Filter 24Lx32W VP950

- Fine Filtration to .03 microns
- Heat Sealed Microcloth
- Fits Super Vac

- 64 OPTIONAL "ECO-MICRO" LINED 3 PLY ULTRA FINE FILTER VP950



65 Optional Teflon Micro Anti-Static Filter Cover VP468-C

- 65 OPTIONAL TEFLON MICRO ANTI STATIC FILTER COVER VP468-C

- BRUSHES FOR MOTORS W/DIAGONAL SLOTS (NOT SHOWN) VP477-BRUSH
- BRUSHES FOR MOTORS W/CRESCENT SLOTS (NOT SHOWN) VP477A-BRUSH
- BRUSHES FOR MOTORS W/CRESCENT SLOTS & BLACK TOP(NOT SHOWN) VP477-BRUSH-G



VAC HEADS ONLY

- 3 MOTOR 3600 WATT 120V VED3
- 2 MOTOR 2400 WATT 120V VED2
- 3 MOTOR 2400 WATT 120V VED3-800
- 3 MOTOR 3600 WATT 240V VED3-220