

Chassis



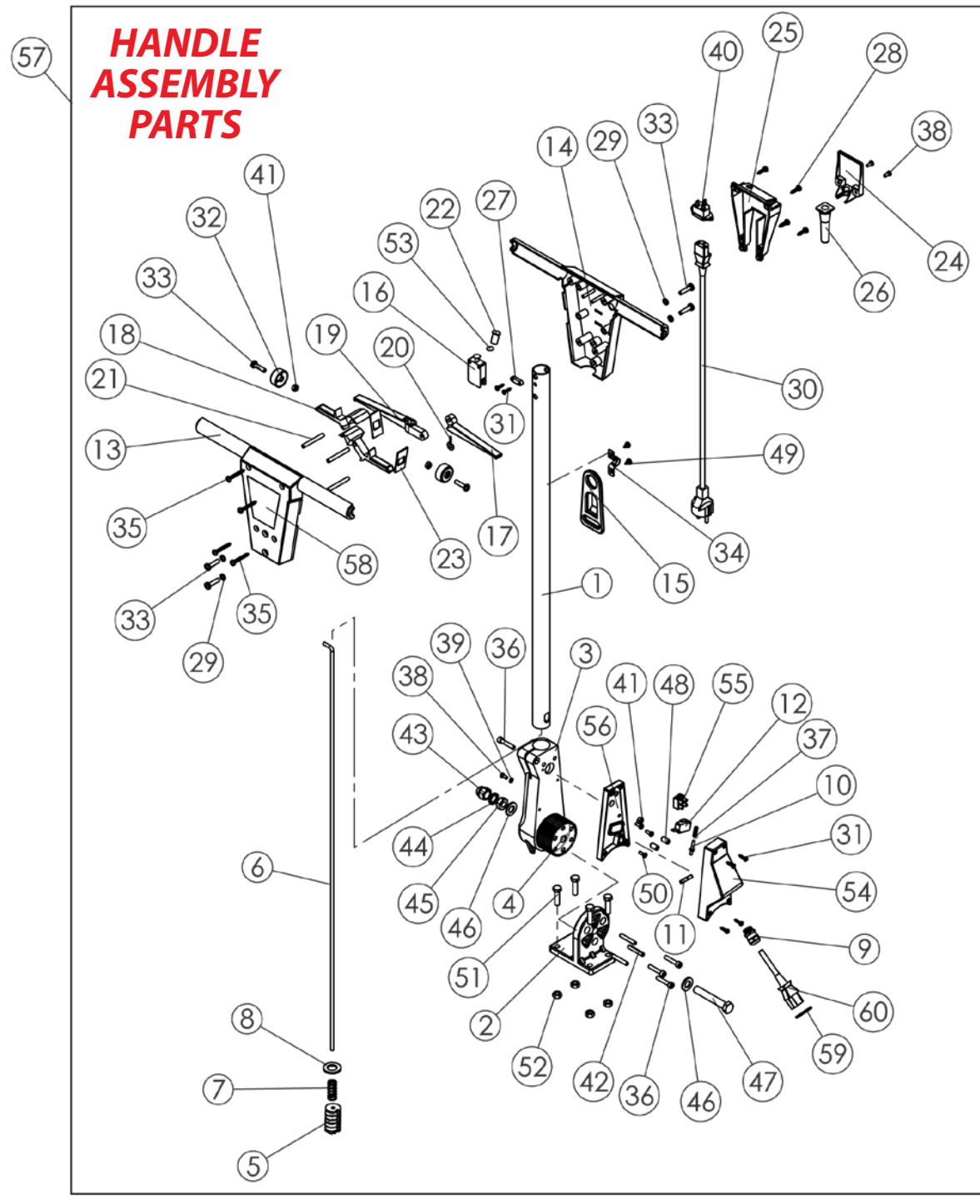
Motor



CENO GROUP • 12221 Carlsbad St., Houston, TX 77085 • 800-710-2366 • Fax: 713-551-8456 • sales@floorsanding.com

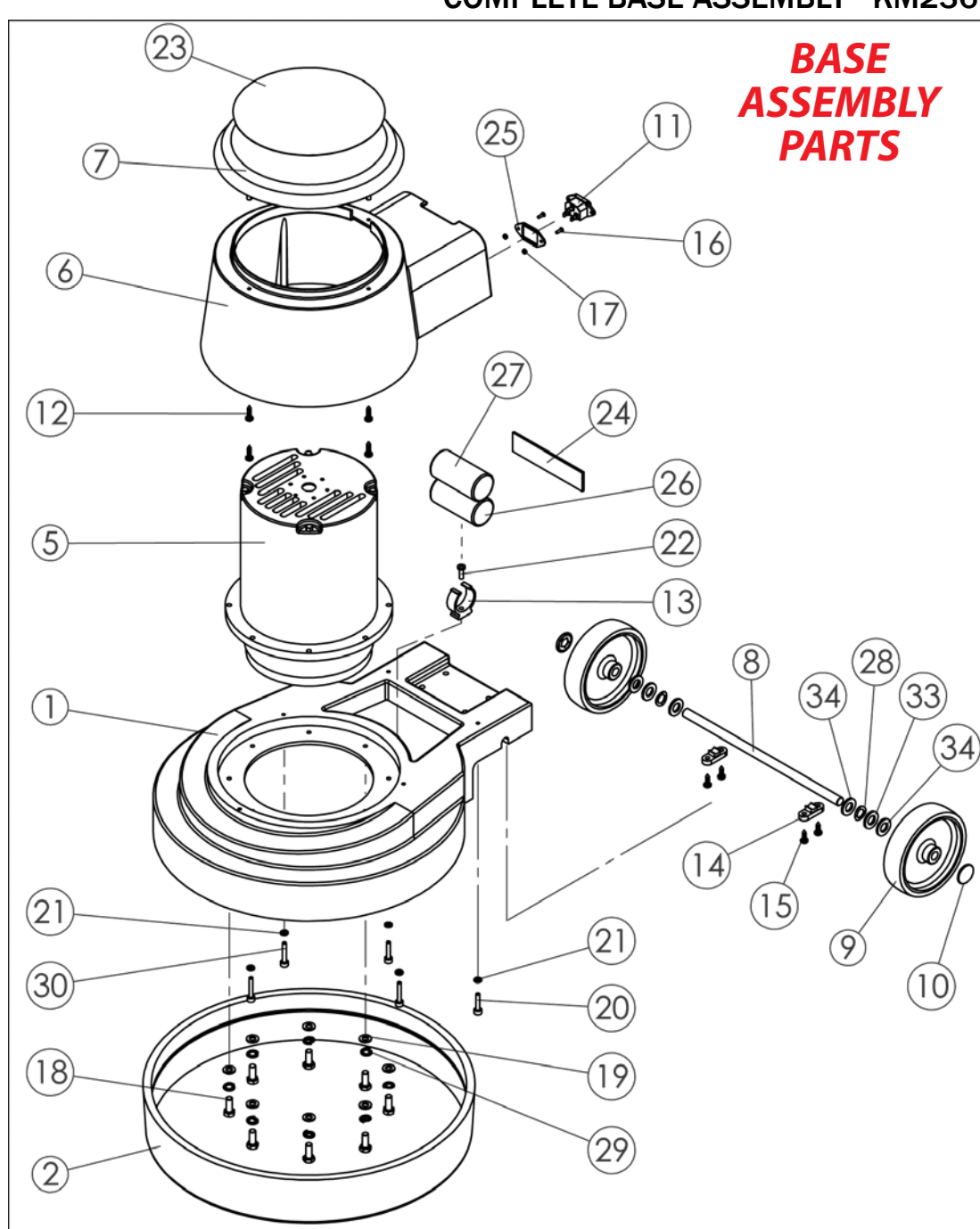
For easier and faster ordering, please verify your model by checking the above pictures.

COMPLETE HANDLE ASSEMBLY KM157



| ITEM | PART # | DESCRIPTION | ITEM | PART # | DESCRIPTION |
|------|--------|-----------------------------|------|--------|--------------------------------|
| 1 | KM101 | HANDLE | 31 | KM131 | TAPPING SCREW 3.9x16 |
| 2 | KM102 | SUPPORT | 32 | KM132 | SOCKET HEAD CAP SCREW |
| 3 | KM103 | SUPPORT | 33 | KM133 | PAN HEAD PHILLIPS RECESS SCREW |
| 4 | KM104 | PINION | 34 | KM134 | JUMPER |
| 5 | KM105 | PIN | 35 | KM135 | TAPPING SCREW 4.8x38 |
| 6 | KM106 | TIE ROD | 36 | KM136 | SOCKET HEAD CAP SCREW |
| 7 | KM107 | SPRING | 37 | KM137 | SPRING |
| 8 | KM108 | WASHER | 38 | KM138 | PAN HEAD PHILLIPS RECESS SCREW |
| 9 | KM109 | FAIRLEAD | 39 | KM139 | TOOTHED WASHER D4 |
| 10 | KM110 | PIN COMMAND | 40 | KM140 | PLUG |
| 11 | KM111 | FAIRLEAD RING NUT | 41 | KM141 | NUT |
| 12 | KM112 | MICRO SAFETY | 42 | KM142 | SPRING PIN 6x36 |
| 13 | KM113 | TOP HANDLE, BLACK PLASTIC | 43 | KM143 | M12 SPHERICAL NUT |
| 14 | KM114 | LOWER HANDLE, BLACK PLASTIC | 44 | KM144 | TWOOTHED WASHER D12 |
| 15 | KM115 | CABLE HOLDER | 45 | KM145 | M12 NUT SP. 8MM |
| 16 | KM116 | MICRO SWITCH | 46 | KM146 | WASHER D12 |
| 17 | KM117 | TANK LEVER | 47 | KM147 | HEX BOLT M12x75 |
| 18 | KM118 | CONTROL LEVER | 48 | KM148 | SOCKET SET SCREW FLAT POINT |
| 19 | KM119 | RELEASE LEVER | 49 | KM149 | TAPPING SCREW 4.8x9.5 |
| 20 | KM120 | THREADED EYELET | 50 | KM150 | PAN HEAD PHILLIPS RECESS SCREW |
| 21 | KM121 | PIN | 51 | KM151 | HEX BOLT M12x75 |
| 22 | KM122 | RED PILOT LIGHT | 52 | KM152 | M8 NUT |
| 23 | KM123 | LEVER COVER | 53 | KM153 | ELASTIC WASHER CAPPED |
| 24 | KM124 | SOCKET COVER | 54 | KM154 | MICRO PLASTIC COVER |
| 25 | KM125 | PLUG COVER | 55 | KM155 | TERMINAL BLOCK |
| 26 | KM126 | BLACK RUBBER GROMMET | 56 | KM156 | SUPPORT |
| 27 | KM127 | CABLE HOLDER | 57 | KM157 | COMPLETE HANDLE ASSEMBLY |
| 28 | KM128 | TAPPING SCREW 4.8x19 | 58 | KM158 | PLATE |
| 29 | KM129 | TOOTHED WASHER A6 | 59 | KM159 | GASKET |
| 30 | KM130 | CABLE | 60 | KM160 | CABLE |

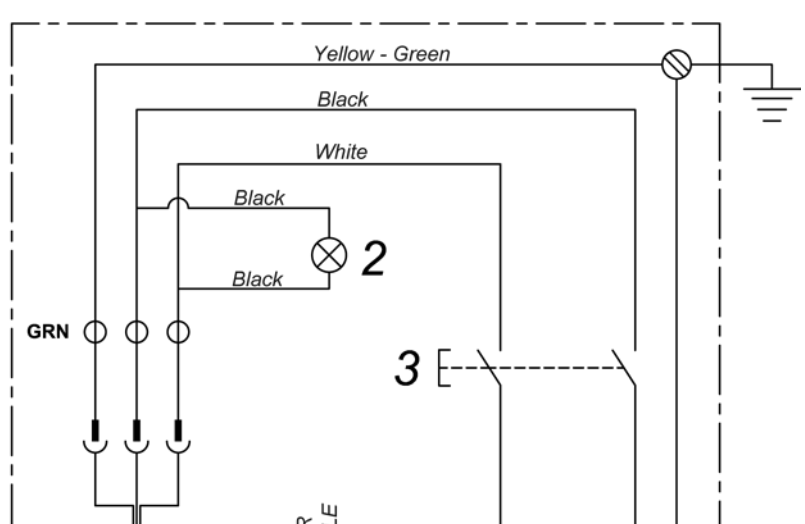
COMPLETE BASE ASSEMBLY KM236



| ITEM | PART# | DESCRIPTION | ITEM | PART# | DESCRIPTION |
|------|--------|---------------------------------------------|------|-------|--------------------------------------|
| 1 | KM201 | CASE 17" | 17 | KM217 | M3 NUT |
| 1A | KM201A | CASE 20" | 18 | KM218 | HEX BOLT |
| 2 | KM202 | BUMPER 20" | 19 | KM219 | WASHER D8 |
| 2A | KM202A | BUMPER 20" | 20 | KM220 | SOCKET HEAD CAP SCREW |
| 5 | KM205 | GEARMOTOR | 21 | KM221 | WASHER |
| 6 | KM206 | MOTOR CASE | 22 | KM222 | PAN HEAD PHILLIPS RECESS SCREW M5x16 |
| 7 | KM207 | COVER | 23 | KM223 | PLATE |
| 8 | KM208 | WHEEL SHAFT FOR 17" | 24 | KM224 | GASKET |
| 8A | KM208A | WHEEL SHAFT FOR 20" | 25 | KM225 | GASKET |
| 9 | KM209 | CASING CAPPED | 26 | KM226 | CONDENSER |
| 10 | KM210 | WASHER | 27 | KM227 | CONDENSER |
| 11 | KM211 | PLUG | 28 | KM228 | WASHER |
| 12 | KM212 | TAPPING SCREW 3.9x19 | 29 | KM229 | SPLIT WASHER D8 |
| 13 | KM213 | SPRING | 30 | KM230 | SOCKET HEAD CAP SCREW |
| 14 | KM214 | CASE BRACKET | 33 | KM233 | WASHER D12 |
| 15 | KM215 | TAPPING SCREW 4.8x19 | 34 | KM234 | WASHER D12x18x0.5 |
| 16 | KM216 | COUNTERSUNK FLAT HEAD PHILLIPS RECESS SCREW | 36 | KM236 | COMPLETE BASE ASSEMBLY |

ELECTRICAL PARTS

| ITEM | PART# | DESCRIPTION |
|------|-------|--------------------|
| 1 | KM501 | CABLE |
| 2 | KM502 | RED PILOT LIGHT |
| 3 | KM503 | MICRO SWITCH |
| 4 | KM504 | MICRO SAFETY |
| 5 | KM505 | TERMINAL BOARD |
| 6 | KM506 | CABLE W/SOCKET |
| 8 | KM508 | CONDENSER |
| 9 | KM509 | WHEEL |
| 10 | KM510 | MOTOR |
| 11 | KM511 | CENTRIFUGAL SWITCH |
| 12 | KM512 | RELAY |



Dust Control

Deflector Plate

Port & Hose

Dust Skirt

TWISTER Dust Control Twister 16"-17" CM117
TWISTER Dust Control Twister 20" CM120

