

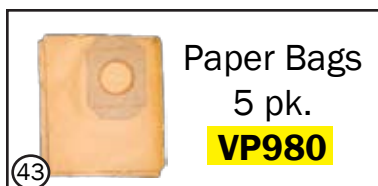


Vac & Rack

KESVAC

**Add Dust Control
to ANY Buffer!**

Connects to your floor machine



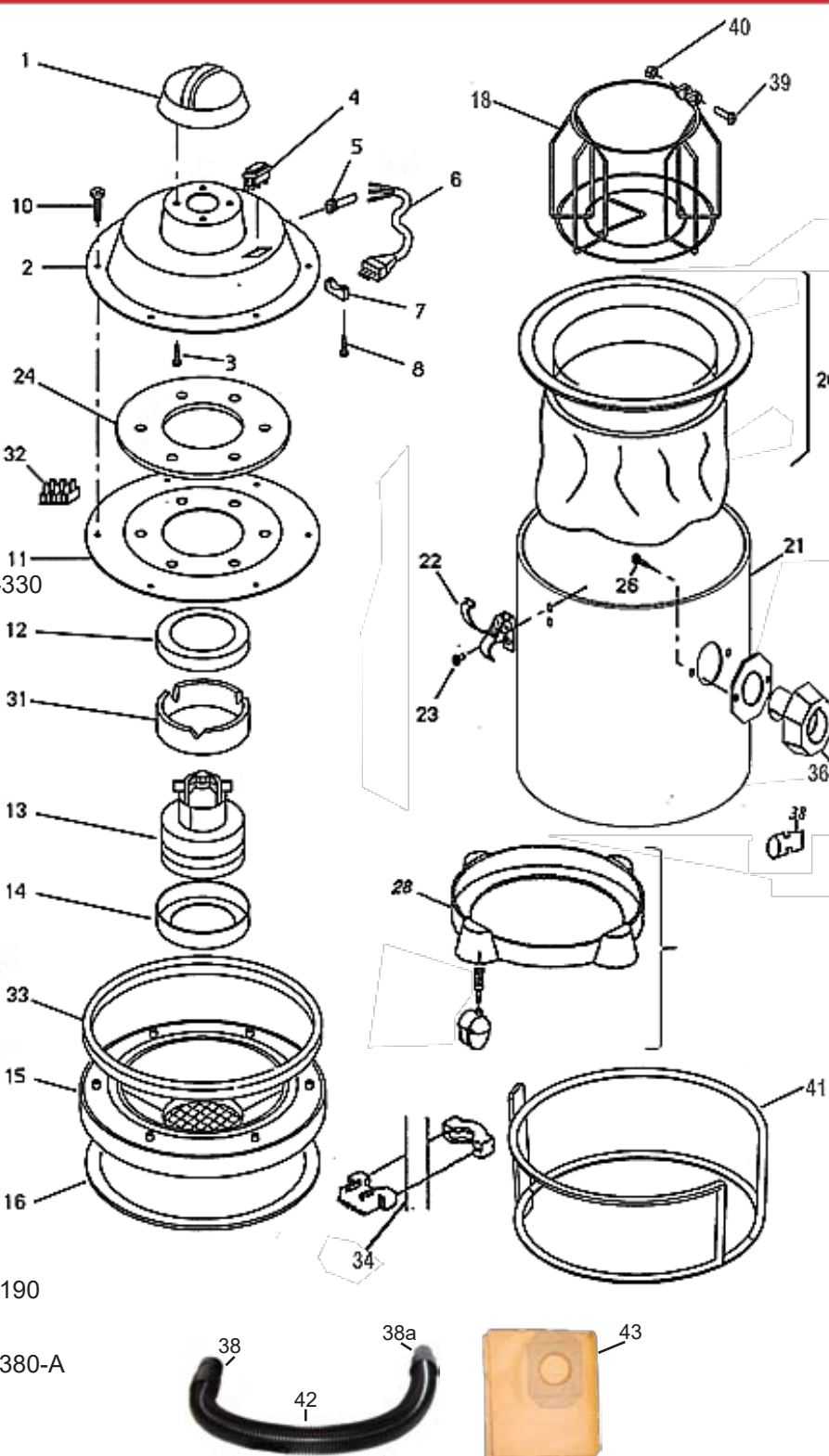
- Ultra Fine Dust Collection
- 16 qt. capacity
- Lightweight, Quiet
- Dry Use Only
- Includes Mounting Hardware and 4 ft. of Hose



CENO GROUP • 12221 Carlsbad St., Houston, TX 77085 • 800-710-2366 • Fax: 713-551-8456 • sales@floorsanding.com

For easier and faster ordering, please verify your model by checking the above pictures.

ITEM	DESCRIPTION	PART #
1	CAP	VP381
2	MOTOR CAP	VP375
3	SCREW	VP627
4	SWITCH	VP462
5	FAIRLEAD	VP498
6	CORD 110V (35')	VP534
	CORD 220V (3')	VP906
	CORD 110V (3')	VP907
7	CORD HOLDER	VP507
8	SCREW	VP612
10	SCREW	VP234
11	MOTOR PLATE	VP396
12	L GASKET	VP459
13	MOTOR 110V	VP809
	MOTOR 220V	KTW11-330
14	MOTOR GASKET	VP460
15	CAP BASE	VP915
16	DOME GASKET	VP438
18	DUST BASKET	VP679
20	FILTER ASSY	VP920
21	TANK	VP921
22	HOOK	VP234
23	RIVET	VP558
24	MUFFLER MATERIAL	VP601
26	SCREW	VP606
28	TROLLEY (OPTIONAL)	VP928
31	MUFFLER MATERIAL	VP602
32	TERMINAL BOARD	VP516
33	NOISE MAT	CP190
34	VACUUM CLAMP	KM633
35	TANK GASKET	VP453
36	HOSE INLET (LOCKING)	VP315
38	HOSE CUFF 1.5" HOSE TO 1.5" MACHINE	VP2501190
38a	HOSE CUFF 1.5" HOSE TO 1.5" WAND	VP2511380-A
39	SCREW	VP643
40	NUT	VP387
41	VACUUM MOUNT	KEGRACKNEW
42	1.5" HOSE 4 FT.	VP6010501
43	PAPER BAGS 5 PK.	VP980



Handle Vac™ RABBIT HEPA MOUNTS ON ANY BUFFER

- Plugs Directly Into Your Floor Machine.
- All Hardware and Adapters, 3-Way Plug Included
- Only 5 Amps, No Extension Cord
- 4 Stage HEPA Filtration
- Attaches in Minutes • 6 Qt. Capacity HEPA
- Weighs 8 Pounds! • 150 CFM Airflow
- 115" Waterlift • 5 ft. Vacuum Hose



CENO GROUP • 12221 Carlsbad St., Houston, TX 77085 • 800-710-2366 • Fax: 713-551-8456 • sales@floorsanding.com