

# CENO Xtreme

FOR MACHINES BUILT NOVEMBER 2017 AND LATER

## Chassis



16" 178 RPM w/DUST CONTROL **CZ100**  
 16" 178 RPM NO DUST CONTROL **CZ200**  
 20" 178 RPM w/DUST CONTROL **CZ300**  
 20" 178 RPM NO DUST CONTROL **CZ400**

## Dust Control



**CM500**  
 Sandpaper Driver  
 Handle Hose Adapter  
 Floating Dust Ring  
 Port & Nut



**CM508**  
 Sandpaper Driver  
 Handle Hose Adapter  
 Dust Skirt  
 Port & Nut

## Motor



Totally Enclosed,  
 fan on top,  
 sealed case

CENO GROUP • 12221 Carlsbad St., Houston, TX 77085 • 800-710-2366 • Fax: 713-551-8456 • sales@floorsanding.com

For easier and faster ordering, please verify your model by  checking the above pictures.

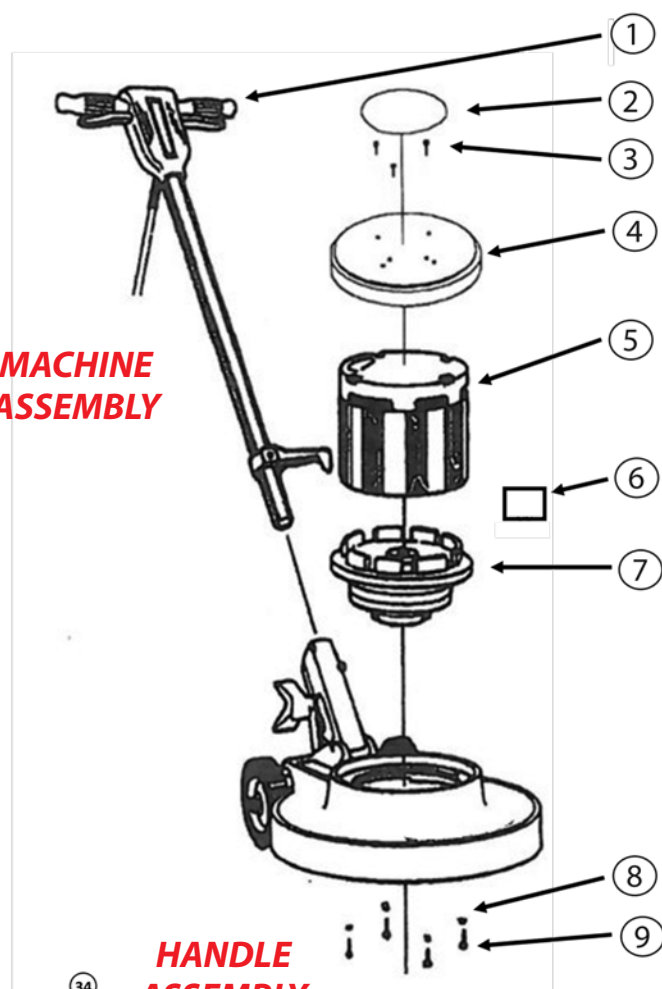
### MACHINE ASSEMBLY

ITEM #	DESCRIPTION	PART #
1	HANDLE ASSEMBLY	G500090
2	CENTER INSERT, CANOPY BLACK	G201205
3	SCREW	G201105
4	CANOPY	G201204
5	MOTOR COMPLETE	KD-485202
6	DECAL, WARNING	G145125
7	GEAR ASSY COMPLETE	KD-503523
8	WASHER	G201430
9	BOLT	G201420

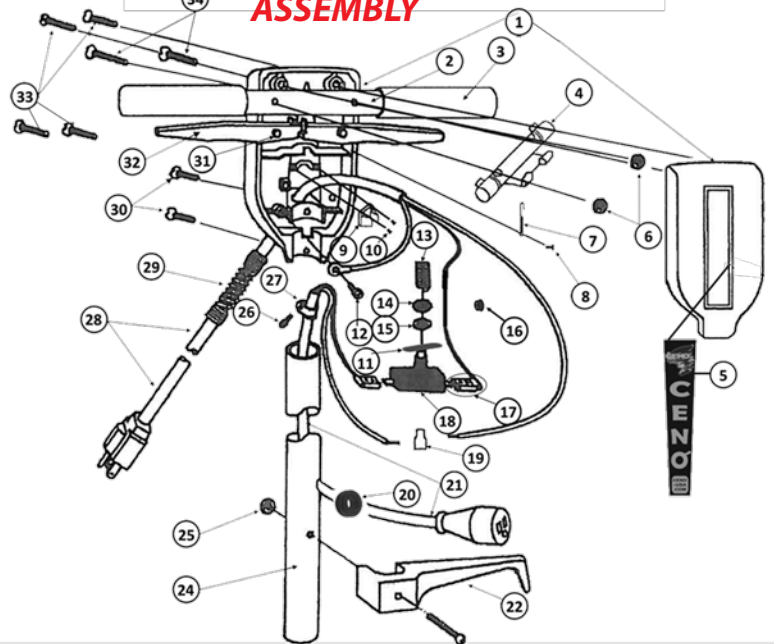
### HANDLE ASSEMBLY

ITEM #	DESCRIPTION	PART #
1	SWITCHBOX, FRONT AND BACK	G501044
2	HANDLE BAR	G501028
3	GRIP, HANDLE RED	G505188
4	LEVER, SAFETY RED	G505185
5	CENO DECAL, SWITCHBOX PL	G147192
6	NUT, LOCK WITH NYLON INSERT	G501054
7	SPRING, SAFETY SWITCH	G505182
8	SCREW, SPRING	G201600
9	STRAIN RELIEF, CABLE	G505189
10	SCREW, STRAIN RELIEF CABLE	G505190
11	WASHER, SWITCH, LOWER	G505178
12	SCREW, GROUND	G201600
13	SPRING, SWITCH	G505162
14	NUT, SWITCH BRASS	G505172
15	WASHER, SWITCH	G505173
16	PLUG, SWITCHBOX	G505193
17	TERMINAL, INSULATED FEMALE RIGHT ANGLE	G505203
18	SWITCH	G505170
19	CRIMP CONNECTOR, INSULATED	G505168
20	GROMMET, RUBBER HANDLE TUBE	G201227
21	WIRE, TUBE ASSEMBLY BLACK	G505160
22	CABLE HOOK	G501071
23	SCREW, CABLE HOOK	G114280
24	HANDLE TUBE, CHROME, SAFETY SWITCH BOX	G501080
25	NUT, LOCK WITH NYLON INSERT	G501054
26	SCREW, STRAIN RELIEF	G505804
27	CABLE CLAMP	G505146
28	CABLE, HEAVY DUTY 50' YELLOW	G605032
29	STRAIN RELIEF, CABLE SPRING	G505110
30	SCREW, SWITCHBOX HANDLE TUBE	G505412
31	PIVOT PIN, LEVER	G501027
32	LEVER, SWITCH BLACK	G501522
33	SCREW, SWITCHBOX	G505118
34	SCREW, HANDLE BAR	G142800
	HANDLE ASSEMBLY COMP.	G500090CENO

### MACHINE ASSEMBLY

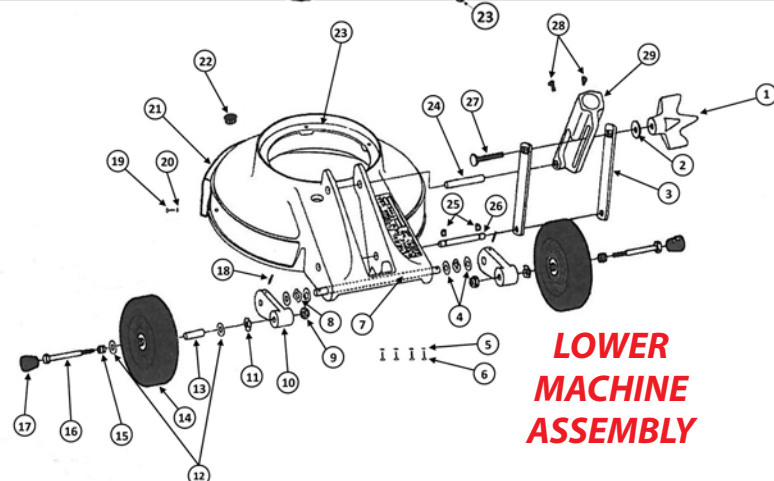


### HANDLE ASSEMBLY



### LOWER MACHINE ASSEMBLY

ITEM #	DESCRIPTION	PART #
1	KNOB, HANDLE ADAPTOR LARGE	G505127
2	WASHER, HANDLE ADAPTOR	G505131
3	HANDLE ADAPTOR LINK	G160532
4	WASHER, NYLON PIVOT SHAFT	G135521
5	WASHER, LOCKING MOTOR	G201430
6	BOLT, MOTOR MOUNTING MARBLE	G201550
7	PIVOT SHAFT, WHEEL	G165518
8	WASHER, TENSION PIVOT SHAFT	G135520
9	NUT, WHEEL	G125048
10	PIVOT ARM	G165517
11	WASHER, TENSION WHEEL AXLE	G130509
12	WASHER, AXLE	G135705
13	BUSHING, WHEEL	G165522
14	WHEEL, SOLID GRAY	G165523
15	SPACER, WHEEL AXLE	G125047
16	AXLE, WHEEL	G125700
17	TIP, RUBBER WHEEL AXLE	G125049
18	PIN, PIVOT SHAFT	G135517
19	RIVET	G505325



### LOWER MACHINE ASSEMBLY

20	WASHER, RIVET BACK UP	G505342
21	BUMPER, RED	G161505
22	PLUG, BLACK APRON 5/8"	G145050
23	APRON	G170510
24	PIVOT PIN, HANDLE ADAPTOR	G160514
25	SNAP RING	G160513
26	PIVOT PIN, HANDLE ADAPTOR LINK	G160512
27	SCREW, HANDLE KNOB LARGE	G160533
28	SCREW, SET HANDLE ADAPTOR	G101510
29	HANDLE ADAPTOR	G160555



CENO GROUP • 12221 Carlsbad St., Houston, TX 77085 • 800-710-2366 • Fax: 713-551-8456 • sales@floorsanding.com